

DETAIL LEGEND
 SIGNIFIES DETAIL *
 SIGNIFIES PAGE *
 SIGNIFIES CROSS SECTION

TruDraw DRAFTING
 DESIGN & BLUEPRINTING
 Prince William County
 Box 81
 Ring Mountain, ME 00110
 Phone: 207-463-5465
 Fax: 207-463-2466

BUILDER
 JOAN JAMES
 NEEDHAM, MA
 204 - 476 - 2570

PROJECT
 PORTABLE
 WASHROOM

LEGAL DESCRIPTION
 FLOOR PLAN &
 CROSS SECTION

DRAWING TITLE
 1/4" = 1'-0"

SCALE
 2 OF 5

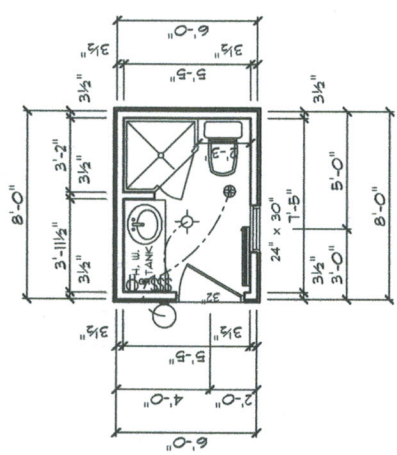
DRAWN BY
 B. W.

DATE
 SEPT 7, 2011

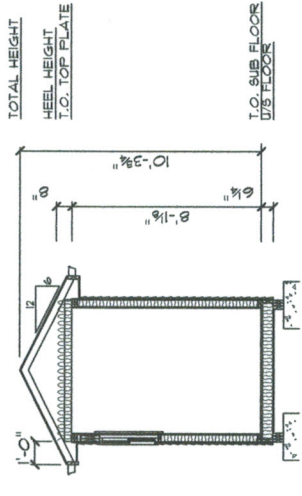
PROJECT NO.
 2011 - 48

APPROVED

- ROOF DETAIL**
 ASPHALT SHINGLES ON ICE & WATER PROTECTOR
 1/2" O.G. VENTED RIDGE CAP
 1/2" O.G. RAFTERS
 ENGINEERED TRUSSES @ 24" O.C.
 INSULATION STOPPS
 R28 INSULATION
 6 MIL POLY VAPOR BARRIER
 5/8" GYPSUM BOARD (BANDIED & PRIMED)
- EAVE DETAIL**
 2 X 6 FASCIA BOARD
 ALUMINUM CHANNEL & VENTED SOFFIT
 ALUMINUM FASCIA
 ALUMINUM EAVES TROUGH & DOWN SPOUTS
- EXTERIOR WALL DETAIL**
 VENTILATED BOARD SIDING
 OSB SHEATHING
 2 X 4 @ 16" O.C.
 8" R12 BATT INSULATION
 6 MIL POLY VAPOR BARRIER
 1/2" GYPSUM BOARD (BANDIED & PRIMED)
- FLOOR SYSTEM DETAIL**
 3/4" OSB SUBFLOOR (GLUED & SCREWED)
 2 X 6 FLOOR JOISTS @ 16" O.C.
 2" POLYURETHANE INSULATION UNDER SUB FLOOR
 800 LB FLOOR BRICKER
 1/2" PL WOOD SHEATHING OR EQUIVALENT
- FOUNDATION DETAIL**
 3 - 1 1/2" X 1 1/2" PIPE BULL-UP BEAMS
 3 - 1 1/2" X 1 1/2" 8" PRECAST CONCRETE PAWS
 3 - 10# REBAR EACH WAY



FLOOR PLAN



CROSS SECTION

PROVIDE INTERCONNECTED SMOKE, HEAT AND CARBON MONOXIDE SENSORS
 ELECTRICAL AND MECHANICAL DRAWINGS/CONTRACTOR BY APPLICABLE ENGINEER/CONTRACTOR
 ALL DIMENSIONS TO OUTSIDE OF FRAMING
 CONTRACTOR TO VERIFY ALL DIMENSIONS AND OPENING SIZES WITH OWNER PRIOR TO CONSTRUCTION
 PRELIMINARY DRAWING
 DO NOT SCALE DRAWINGS